



tel.: +48 (58) 340 24 40
 fax: +48 (58) 340 24 49
 e-mail: info@alarmtech.pl

Alarmtech Polska Sp. z o.o.
 ul. Kielnińska 115
 80-299 Gdansk-Osowa, Poland

GD 330

GD 330: GLASS BREAK DETECTOR WITH INTEGRATED RELAY OUTPUT

The GD 330 glass break detector features a relay output enabling its direct connection to an alarm line of any kind of control panel. It is designed to protect standard plate and tempered glass panes in windows and doors of public-use buildings, offices and houses/flats as well as to protect glass display cabinets in museums, jewelry stores etc.

The GD330 will detect vibrations generated by a glass pane being shattered. It is very immune to any interfering signals present on the glass surface as well as in its proximity. It does not require sensitivity adjustments. It is perfect for 24 h protection applications. It includes visual alarm condition indication i.e. an L.E.D. diode.

It mounts on 3÷6,4 mm thick glass panes and provides reliable 2 to 4 metre radius of protection. It can be also installed on glass panes with external film protection, provided it is fit directly on the glass and not the film. However, the protection film should be removed from the glass starting from the mounting place of a detector and reaching outwards the radius of 2x the detector diameter.

Note! For effective mounting of the detectors our GDK 100 Adhesive Kit should be used.



GD 330 TECHNICAL DATA

Coverage (radius) on 3 mm thick glass panes: 2 m
 Input Voltage: 8-15 V DC
 Max. ripple: 2 Vpp @ 12 V
 Current draw: Standby mode 3 mA; Alarm mode: 17 mA
 Anti-tamper loop
 Alarm output: relay output
 - Relay contact rating: 500 mA/35 V
 - Alarm response duration: Alarm mode latched (sustained till reset)
 - Alarm condition indication: LED
 - Alarm resetting: on power-down

ENVIRONMENTAL CONDITIONS

- Operating temperature range: -40 to +70°C
 - Storing temperature: -40 to +70°C
 - Humidity, DIN 40040: max. 95% RH, class F
 - Housing protection category IEC 529: IP 67

APPROVALS

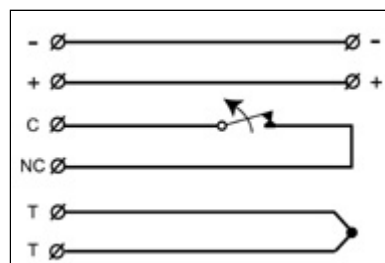
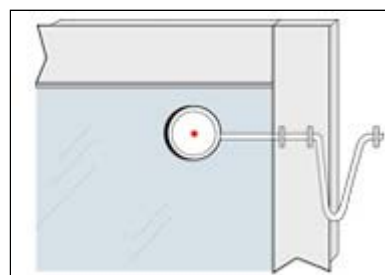
CE ... In conformity
 Techom, class C: 50/02
 VdS, class B: G 192531
 ANPI/NVBB: BZ-MI 04-00-0617

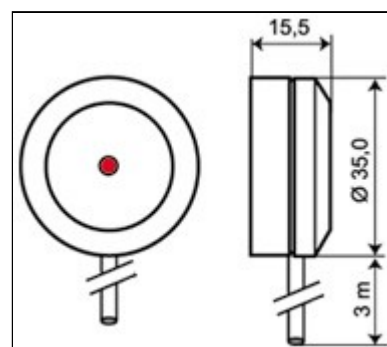
DIMENSIONS

Height: 16 mm
 Diameter: 35 mm
 Weight: 60 g

FEATURES

- Relay output
- Large protection radius
- Immunity to interferences
- No need for sensitivity adjustment
- Over 1 million in-field detectors
- Integrated LED memory feature
- Approved by Techom, VdS and other European certification bureaus





PRODUCT CODE	PRODUCT DESCRIPTION	HOUSING	DIAMETER	CABLE LENGTH	CABLE TYPE	CABLE JACKET	PACKAGING
GD 330	Glass break detector with relay output	Plastic, round, white	35 mm	3 m	6 wire	white	1 pc.
GD 330-6	Glass break detector with relay output	Plastic, round, white	35 mm	6 m	6 wire	white	1 pc.
GD 330-B	Glass break detector with relay output	Plastic, round, brown	35 mm	3 m	6 wire	brown	1 pc.
GD 330-6B	Glass break detector with relay output	Plastic, round, brown	35 mm	6 m	6 wire	brown	1 pc.